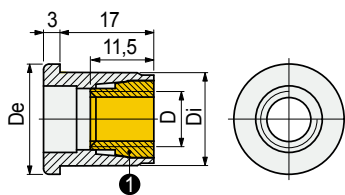


## Part. S0565



for round tubes Dia. 18 - 20 mm

### Expansion plugs

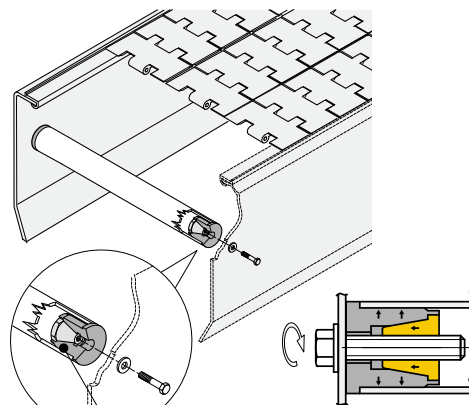


Tube dimensions    ① Expansion cone

Outside mm	Thickness mm	Inside mm	Thread D	De mm	Di mm	Code
Ø 20	1,5	17	M8	20	17	698681

- Material: plug in polyamide PA (black), expansion cone in brass.
- Standard packaging: expansion cone is supplied separated from the plug.
- Weight: 0,01Kg.
- Packaging: 100 pieces.
- Max recommended tightening torque: 1 Kgm.

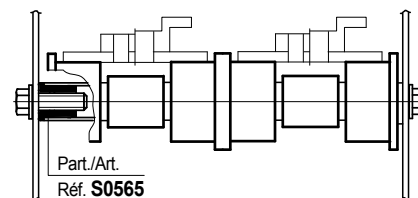
### • Assembly Part. S0565



Part./Art.  
Réf. S0565

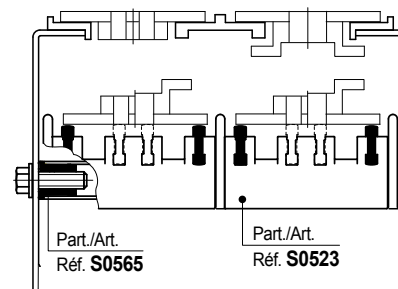
Tightening the bolt, the plug expands and stays firmly in the tube.

### • Application example of Part. S0565 for return chain rollers



Part./Art.  
Réf. S0565

### • Application example of Part. S0565 for serpentine return



Part./Art.  
Réf. S0565

Part./Art.  
Réf. S0523