



**Key Industries:**

- Air Handling
- Cement/Aggregate
- Forest Products
- Mining
- Steel

**Housing Options:**

- 2 and 4-bolt Pillow Blocks
- Flange Blocks
- Flange Cartridge Blocks
- Cartridge Blocks
- Duplex Units
- Take-ups
- Fixed or Float

**Shaft Sizes:**

1 15/16" through 3 15/16"

**Shaft Tolerance Recommendations:**

- 1" through 2"  
nominal to -.003" tolerances
- 2 1/16" through 3 15/16"  
nominal to -.004" tolerances

**Mounting Type:**

SHURLOK Adapter Mount

## ZA 6000 Series SHURLOK Adapter Mounted Roller Bearing

When equipment goes down, you lose money — plain and simple. The ZA 6000 Series SHURLOK® Adapter Mounted Roller Bearing was designed to maximize uptime and minimize changeover time so you can keep your equipment — and your profits — going strong.

**General Bearing Information:**

- Races — Precision ground and super finished
- Housings — Powder coated cast iron or steel
- Grease — Multi-purpose lithium complex
- Standard Seal — Z — Labyrinth type

**Available Options:**

- Optional Seals:
  - K — Light contact single lip seal
  - G — Triple lip seal
  - M — Heavy contact spring loaded lip seal
  - Viton® seals for high temperature and chemical resistance
  - Special grease
  - Auxiliary end caps
  - High temperature options including additional internal clearance, steel retainers and optional greases

**Spyglass™ Optical Strain Sensor (OSS)**

- Provides instant feedback for optimal shaft grip
- Eliminates damage to the shaft and bearing because of improper tightness on the mounting
- Quick and easy installation

**Positive Locking System**

- Reduced vibration eliminates the need for scheduled mounting inspections

**Tapered Mounting Sleeve**

- 25 percent greater shaft grip reduces shaft damage caused by loose mountings
- Allows easy removal of the bearing from the shaft — saves on maintenance time and damaged shafts
- Accommodates the use of inexpensive commercial grade shafting

**Spherical Roller Elements**

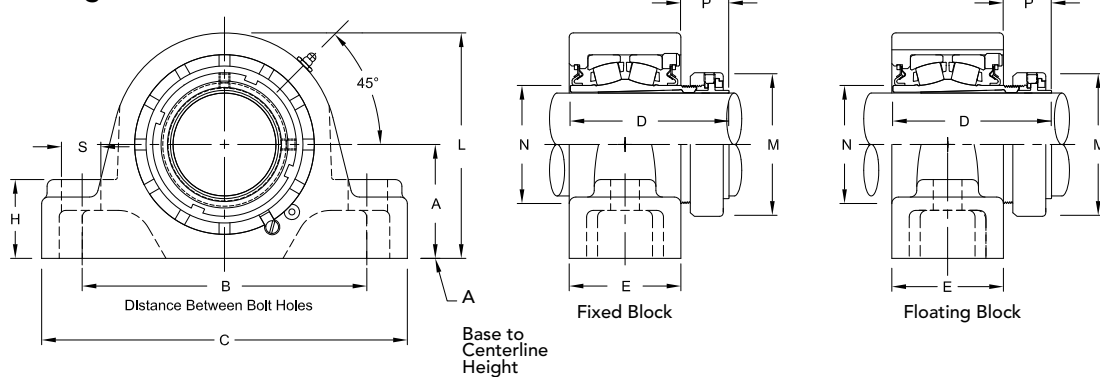
- Self-aligning bearing provides four degrees of static and dynamic misalignment

**Super-finished Raceways and Rollers**

- Provide a cool running, quiet, high speed and high load capacity design



**Nomenclature & Specifications**  
**Bearing Dimensions**



**ReX® 6000 Series SHURLOK**

Size Code	Shaft Diameter	Part Number	Expansion		Fixed		A Base to Centerline Height	B Distance Between Bolt Holes	D	E	F Bolts	G Bolt Hole Spacing (Width)	H	M	N	P	S	Approx. Weight	
			C	L	Part Number	C													L
<b>Two-Bolt Pillow Block</b>																			
6	1 15/16	ZAS6115	8 3/8	4 9/16	ZA6115	8 1/8	4 9/16	2 1/4	6 1/4	3 41/64	2 1/2	5/8	-	1 3/8	2 55/64	2 5/16	1 1/8	15/16	10.90
7	2 3/16	ZAS6203	8 7/8	5	ZA6203	8 5/8	5	2 1/2	6 3/4	3 49/64	2 9/16	5/8	-	1 5/8	3 15/64	2 5/8	1 5/32	15/16	12.90
8	2 3/8	ZAS6206	9 1/4	5 1/2	ZA6206	9 1/8	5 1/2	2 3/4	7 1/8	4 5/32	2 11/16	5/8	-	1 5/8	3 19/32	2 29/32	1 27/64	15/16	16.10
	2 7/16	ZAS6207	9 1/4	5 1/2	ZA6207	9 1/8	5 1/2	2 3/4	7 1/8	4 5/32	2 11/16	5/8	-	1 5/8	3 19/32	2 29/32	1 27/64	15/16	16.30
9	2 11/16	ZAS6211	10 7/16	6 7/16	ZA6211	10 7/16	6 7/16	3 1/4	8 1/8	4 17/32	3 3/16	3/4	-	2	4 3/32	3 3/8	1 25/64	1 1/16	27.30
	2 3/4	ZAS6212	10 7/16	6 7/16	ZA6212	10 7/16	6 7/16	3 1/4	8 1/8	4 17/32	3 3/16	3/4	-	2	4 3/32	3 3/8	1 25/64	1 1/16	26.90
	2 15/16	ZAS6215	10 7/16	6 7/16	ZA6215	10 7/16	6 7/16	3 1/4	8 1/8	4 17/32	3 3/16	3/4	-	2	4 3/32	3 3/8	1 25/64	1 1/16	26.00
10	3 3/16	ZAS6303	13	7 1/2	ZA6303	13	7 1/2	3 3/4	10	5 9/64	3 7/16	7/8	-	2 1/4	4 61/64	3 31/32	1 19/32	1 5/8	41.80
	3 7/16	ZAS6307	13	7 1/2	ZA6307	13	7 1/2	3 3/4	10	5 9/64	3 7/16	7/8	-	2 1/4	4 61/64	3 31/32	1 19/32	1 5/8	40.30
11	3 11/16	ZAS6311	14 1/4	8 1/2	ZA6311	14 1/4	8 1/2	4 1/8	10 7/8	5 31/32	4 1/8	1	-	2 1/8	5 43/64	4 9/16	1 47/64	1 3/4	58.00
	3 15/16	ZAS6315	14 1/4	8 1/2	ZA6315	14 1/4	8 1/2	4 1/8	10 7/8	5 31/32	4 1/8	1	-	2 1/8	5 43/64	4 9/16	1 47/64	1 3/4	56.00
<b>Four-Bolt Pillow Block</b>																			
6	1 15/16	ZAS6115F	8 3/8	4 9/16	ZA6115F	8 3/8	4 9/16	2 1/4	6 1/4	3 41/64	3 3/16	1/2	1 19/32	1 3/8	2 55/64	2 5/16	1 1/8	13/16	11.70
7	2 3/16	ZAS6203F	8 7/8	5	ZA6203F	8 7/8	5	2 1/2	6 3/4	3 49/64	3 1/4	1/2	1 11/16	1 5/8	3 15/64	2 5/8	1 5/32	13/16	15.30
8	2 3/8	ZAS6206F	9 1/4	5 1/2	ZA6206F	9 1/4	5 1/2	2 3/4	7 1/8	4 5/32	3 3/8	1/2	1 3/4	1 3/4	3 19/32	2 29/32	1 27/64	13/16	16.90
	2 7/16	ZAS6207F	9 1/4	5 1/2	ZA6207F	9 1/4	5 1/2	2 3/4	7 1/8	4 5/32	3 3/8	1/2	1 3/4	1 3/4	3 19/32	2 29/32	1 27/64	13/16	16.60
9	2 11/16	ZAS6211F	10 7/16	6 7/16	ZA6211F	10 7/16	6 7/16	3 1/4	8 1/8	4 17/32	3 3/4	5/8	1 7/8	2 1/4	4 3/32	3 3/8	1 25/64	15/16	28.00
	2 3/4	ZAS6212F	10 7/16	6 7/16	ZA6212F	10 7/16	6 7/16	3 1/4	8 1/8	4 17/32	3 3/4	5/8	1 7/8	2 1/4	4 3/32	3 3/8	1 25/64	15/16	26.80
	2 15/16	ZAS6215F	10 7/16	6 7/16	ZA6215F	10 7/16	6 7/16	3 1/4	8 1/8	4 17/32	3 3/4	5/8	1 7/8	2 1/4	4 3/32	3 3/8	1 25/64	15/16	26.80
10	3 3/16	ZAS6303F	13	7 1/2	ZA6303F	13	7 1/2	3 3/4	10	5 9/64	4 1/8	3/4	2	2 1/4	4 61/64	3 31/32	1 19/32	1 1/2	42.10
	3 7/16	ZAS6307F	13	7 1/2	ZA6307F	13	7 1/2	3 3/4	10	5 9/64	4 1/8	3/4	2	2 1/4	4 61/64	3 31/32	1 19/32	1 1/2	40.60
11	3 11/16	ZAS6311F	15 1/4	8 5/8	ZA6311F	15 1/4	8 1/2	4 1/4	12 1/2	5 31/32	4 1/2	3/4	2 1/4	2 5/8	5 43/64	4 9/16	1 47/64	1 1/4	63.00
	3 15/16	ZAS6315F	15 1/4	8 5/8	ZA6315F	15 1/4	8 1/2	4 1/4	12 1/2	5 31/32	4 1/2	3/4	2 1/4	2 5/8	5 43/64	4 9/16	1 47/64	1 1/4	61.00

\* Consult Rexnord Catalog BR101-100EN for load and speed ratings  
Seals - To specify K, G or M seal, replace "Z" in model number with "K," "G" or "M"

**ReX® 6000 Series SHURLOK Adapter Mount Roller Bearings Interchange Chart**

Shaft Size Inches	# of Bolts	Rexnord® 6000 Series		Dodge Imperial	
		Fixed	Floating	Fixed	Floating
1-15/16	2	ZA-6115	ZAS-6115	P2B-IP-115R	P2B-IP-115RE
1-15/16	4	ZA-6115-F	ZAS-6115-F	P4B-IP-115R	P4B-IP-115RE
2-13/16	2	ZA-6203	ZAS-6203	P2B-IP-203R	P2B-IP-203RE
2-13/16	4	ZA-6203-F	ZAS-6203-F	P4B-IP-203R	P4B-IP-203RE
2-3/8	2	ZA-6206	ZAS-6206	P2B-IP-206R	P2B-IP-206RE
2-3/8	4	ZA-6206-F	ZAS-6206-F	P4B-IP-206R	P4B-IP-206RE
2-7/16	2	ZA-6207	ZAS-6207	P2B-IP-207R	P2B-IP-207RE
2-7/16	4	ZA-6207-F	ZAS-6207-F	P4B-IP-207R	P4B-IP-207RE
2-11/16	2	ZA-6211	ZAS-6211	P2B-IP-211R	P2B-IP-211RE
2-11/16	4	ZA-6211-F	ZAS-6211-F	P4B-IP-211R	P4B-IP-211RE
2-3/4	2	ZA-6212	ZAS-6212	P2B-IP-212R	P2B-IP-212RE
2-3/4	4	ZA-6212-F	ZAS-6212-F	P4B-IP-212R	P4B-IP-212RE
2-15/16	2	ZA-6215	ZAS-6215	P2B-IP-215R	P2B-IP-215RE
2-15/16	4	ZA-6215-F	ZAS-6215-F	P4B-IP-215R	P4B-IP-215RE
3-3/16	2	ZA-6303	ZAS-6303	P2B-IP-303R	P2B-IP-303RE
3-3/16	4	ZA-6303-F	ZAS-6303-F	P4B-IP-303R	P4B-IP-303RE
3-7/16	2	ZA-6307	ZAS-6307	P2B-IP-307R	P2B-IP-307RE
3-7/16	4	ZA-6307-F	ZAS-6307-F	P4B-IP-307R	P4B-IP-307RE
3-11/16	2	ZA-6311	ZAS-6311	P2B-IP-311R	P2B-IP-311RE
3-11/16	4	ZA-6311-F	ZAS-6311-F	P4B-IP-311R	P4B-IP-311RE
3-15/16	2	ZA-6315	ZAS-6315	P2B-IP-315R	P2B-IP-315RE
3-15/16	4	ZA-6315-F	ZAS-6315-F	P4B-IP-315R	P4B-IP-315RE