

Rexnord Duralon Mounted Bearings





Duralon Mounted Bearings provide superior life in wet environments. The polypropylene housing, Duralon insert and stainless shaft protector will not corrode and do not require lubrication.

Key Industries

- Food Processing
- Beverage Packaging
- Amusement Parks
- Water Treatment

Housing Configuration

- Pillow block
- 2-bolt flange
- 3-bolt flange
- 4-bolt flange

Shaft Size

3/4" – 1 1/2"

Mounting Type

Stainless steel shaft protector

For more than 40 years, customers have depended on Rexnord® Duralon® Mounted Bearings to reduce maintenance costs and downtime, increase productivity and provide optimal performance for your application.

Rexnord Duralon Mounted Bearings are corrosion-resistant, maintenance-free (self-lubricating), offer superior life, and provide dependable performance — all with industry-leading lead times.

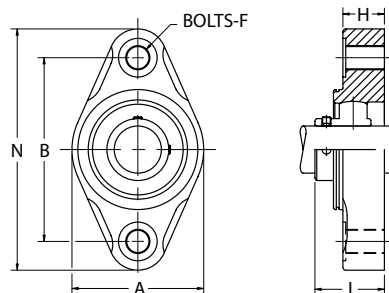
Our Duralon Mounted Bearings are ideal for applications like food processing, beverage packaging, waterpark rides and amusement parts, and power plant louvers.

Features & benefits include:

- Polypropylene housing — enables bearings to be corrosion resistant, will not rust
- Stainless steel shaft protector — corrosion-resistant
- Duralon insert — dimensionally same as ball bearing; easy replacement with direct interchange
- Self-lubricating insert — no lubrication required for minimal maintenance; will not seize onto shaft
- Temperature ranges from below zero to 200 degrees Fahrenheit
- High load capacity — will not absorb water

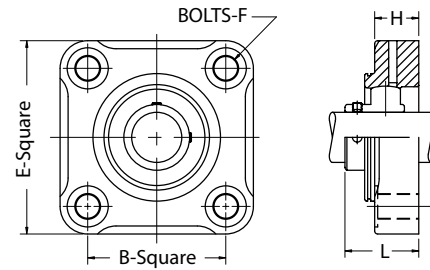


2-Bolt Flange Mounting



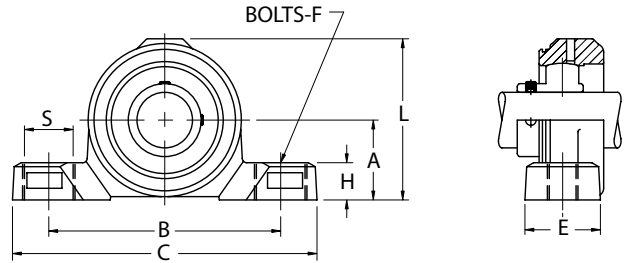
Part Number	Shaft Diameter	A	B	F — Bolts	H	L — Shaft Protector Length	N
DKLFXM012SP	3/4	2 7/16	3.543	3/8	5 1/64	1.44	4 9/16
DKLFXM013SP	13/16	2 13/16	3.898		7/8	1.5	5 1/8
DKLFXM014SP	7/8	2 13/16	3.898		7/8	1.5	5 1/8
DKLFXM015SP	15/16	2 13/16	3.898		7/8	1.5	5 1/8
DKLFXM016SP	1	2 13/16	3.898		7/8	1.5	5 1/8
DKLFXM017SP	1 1/16	3 11/32	4.606		1 1/64	1.82	5 53/64
DKLFXM018SP	1 1/8	3 11/32	4.606		1 1/64	1.82	5 53/64
DKLFXM019SP	1 3/16	3 11/32	4.606		1 1/64	1.82	5 53/64
DKLFXME020SP	1 1/4	3 11/32	4.606		1 1/64	1.82	5 53/64
DKLFXM020SP	1 1/4	3 21/32	5.118		1 1/64	1.96	6 3/8
DKLFXM021SP	1 5/16	3 21/32	5.118		1 1/64	1.96	6 3/8
DKLFXM022SP	1 3/8	3 21/32	5.118		1 1/64	1.96	6 3/8
DKLFXM023SP	1 7/16	3 21/32	5.118		1 1/64	1.96	6 3/8
DKLFXM024SP	1 1/2	4 1/64	5.672		1 3/16	2.03	6 59/64

4-Bolt Flange Mounting



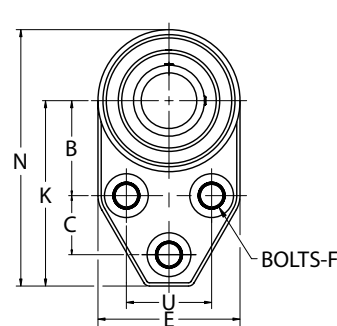
Part Number	Shaft Diameter	B	E	F — Bolts	H	L — Shaft Protector Length
DKLFM013SP	13/16	2.756	3 55/64	3/8	7/8	1.5
DKLFM014SP	7/8	2.756	3 55/64		7/8	1.5
DKLFM015SP	15/16	2.756	3 55/64		7/8	1.5
DKLFM016SP	1	2.756	3 55/64		7/8	1.5
DKLFM017SP	1 1/16	3.268	4 21/64		1 1/64	1.82
DKLFM018SP	1 1/8	3.268	4 21/64		1 1/64	1.82
DKLFM019SP	1 3/16	3.268	4 21/64		1 1/64	1.82
DKLFME020SP	1 1/4S	3.268	4 21/64		1 1/64	1.82
DKLFM020SP	1 1/4	3.622	4 23/32		1 1/64	1.96
DKLFM021SP	1 5/16	3.622	4 23/32		1 1/64	1.96
DKLFM022SP	1 3/8	3.622	4 23/32		1 1/64	1.96
DKLFM023SP	1 7/16	3.622	4 23/32		1 1/64	1.96
DKLFM024SP	1 1/2	4.016	5 5/32		1 3/16	2.03

Pillow Block



Part Number	Shaft Diameter	A	B	C	E	F — Bolts	H	J	L	L — Shaft Protector Length	S
DKLPM012SP	3/4	1 5/16	3 25/32	5 1/32	1 3/16	3/8	43/64	3/4	3 1/32	1.44	7/8
DKLPM013SP	13/16	1 7/16	4 11/16	5 31/64	1 23/64		43/64	13/16	3 11/32	1.5	7/8
DKLPM014SP	7/8	1 7/16	4 11/16	5 31/64	1 23/64		43/64	13/16	3 11/32	1.5	7/8
DKLPM015SP	15/16	1 7/16	4 11/16	5 31/64	1 23/64		43/64	13/16	3 11/32	1.5	7/8
DKLPM016SP	1	1 7/16	4 11/16	5 31/64	1 23/64		43/64	13/16	3 11/32	1.5	7/8
DKLPM017SP	1 1/16	1 11/16	4 49/64	6 27/64	1 27/64		25/32	61/64	3 55/64	1.82	15/16
DKLPM018SP	1 1/8	1 11/16	4 49/64	6 27/64	1 27/64		25/32	61/64	3 55/64	1.82	15/16
DKLPM019SP	1 3/16	1 11/16	4 49/64	6 27/64	1 27/64		25/32	61/64	3 55/64	1.82	15/16
DKLFME020SP	1 1/4S	1 11/16	4 49/64	6 27/64	1 27/64		25/32	61/64	3 55/64	1.82	15/16
DKLPM020SP	1 1/4	1 7/8	4 31/32	6 37/64	1 33/64		25/32	1 7/16	4 1/4	1.96	15/16
DKLPM021SP	1 5/16	1 7/8	4 31/32	6 37/64	1 33/64		25/32	1 7/16	4 1/4	1.96	15/16
DKLPM022SP	1 3/8	1 7/8	4 31/32	6 37/64	1 33/64		25/32	1 7/16	4 1/4	1.96	15/16
DKLPM023SP	1 7/16	1 7/8	4 31/32	6 37/64	1 33/64		25/32	1 7/16	4 1/4	1.96	15/16
DKLPM024SP	1 1/2	2	5 11/32	7 9/32	1 33/64		25/32	1 13/64	4 13/32	2.03	15/16

3 Bolt Flange Bracket



Part Number	Shaft Diameter	B	C	D	E	F — Bolts	K	L — Shaft Protector Length	N	U
DKLFBM013SP	13/16	1 13/16	1 1/8	1 11/64	2 23/32	3/8	3 17/32	1.5	4 57/64	1 5/8
DKLFBM014SP	7/8	1 13/16	1 1/8	1 11/64	2 23/32		3 17/32	1.5	4 57/64	1 5/8
DKLFBM015SP	15/16	1 13/16	1 1/8	1 11/64	2 23/32		3 17/32	1.5	4 57/64	1 5/8
DKLFBM016SP	1	1 13/16	1 1/8	1 11/64	2 23/32		3 17/32	1.5	4 57/64	1 5/8
DKLFBM017SP	1 1/16	2 1/16	1 1/4	1 11/32	3 13/64		3 55/64	1.82	5 15/32	1 7/8
DKLFBM018SP	1 1/8	2 1/16	1 1/4	1 11/32	3 13/64		3 55/64	1.82	5 15/32	1 7/8
DKLFBM019SP	1 3/16	2 1/16	1 1/4	1 11/32	3 13/64		3 55/64	1.82	5 15/32	1 7/8
DKLFBME020SP	1 1/4S	2 1/16	1 1/4	1 11/32	3 13/64		3 55/64	1.82	5 15/32	1 7/8
DKLFBM020SP	1 1/4	2 3/8	1 1/4	1 9/16	3 11/16	7/16	4 15/64	1.96	6 5/64	2
DKLFBM021SP	1 5/16	2 3/8	1 1/4	1 9/16	3 11/16		4 15/64	1.96	6 5/64	2
DKLFBM022SP	1 3/8	2 3/8	1 1/4	1 9/16	3 11/16		4 15/64	1.96	6 5/64	2
DKLFBM023SP	1 7/16	2 3/8	1 1/4	1 9/16	3 11/16		4 15/64	1.96	6 5/64	2



Why Choose Rexnord?

When it comes to providing highly engineered products that improve productivity and efficiency for industrial applications worldwide, Rexnord is the most reliable in the industry. Commitment to customer satisfaction and superior value extend across every business function.

Delivering Lowest Total Cost of Ownership

The highest quality products are designed to help prevent equipment downtime and increase productivity and dependable operation.

Valuable Expertise

An extensive product offering is accompanied by global sales specialists, customer service and maintenance support teams, available anytime.

Solutions to Enhance Ease of Doing Business

Commitment to operational excellence ensures the right products at the right place at the right time.

REXNORD

Rexnord Company Overview

Rexnord is a growth-oriented, multi-platform industrial company with leading market shares and highly trusted brands that serve a diverse array of global end markets.

Process & Motion Control

The Rexnord Process & Motion Control platform designs, manufactures, markets and services specified, highly engineered mechanical components used within complex systems where our customers' reliability requirements and the cost of failure or downtime are extremely high.

Water Management

The Rexnord Water Management platform designs, procures, manufactures and markets products that provide and enhance water quality, safety, flow control and conservation.